

Specifications

Model number (Name)	VL-MWD272/VL-MWD273 (Main Monitor/Extension Monitor)	VL-MV71/VL-MV72 (Main Monitor/Extension Monitor)	VL-MVN511 (Main Monitor)	VL-MV26 (Main Monitor)
Dimensions (H x W x D)	158 x 243 x 29.5 mm		186 x 161 x 23.5 mm	169 x 129 x 29 mm
Power source	VL-MWD272: 220-240 V AC (50/60 Hz) VL-MWD273: Power supply unit (VL-PS241) 24 V DC, 0.5 A	VL-MV71: 220-240 V AC (50/60 Hz) VL-MV72: Power supply unit (VL-PS241) 24 V DC, 0.4 A	Power supply unit (VL-PS240) 24 V DC, 0.5 A	
Power consumption	Approx. VL-MWD272: 2.5W VL-MWD273: 1.8W VL-MWD272: 10W VL-MWD273: 11.6W	Approx. VL-MV71: 2.0W VL-MV72: 1.6W VL-MV71: 10.5W VL-MV72: 9.8W	Approx. 1.8 W Approx. 10 W	Approx. 1.2 W Approx. 8 W
Weight	VL-MWD272: 835 g ¹ VL-MWD273: 710 g	VL-MV71: 835 g ¹ VL-MV72: 710 g	485 g	330 g
Operating environment	Ambient temperature: Approx. 0 °C to +40 °C Relative humidity (non-condensing): up to 90 %			
Display	7-inch wide colour / WVGA (800x480 pixel)		5-inch, wide colour / WQVGA (480x272 pixel)	3.5-inch, colour / QVGA (320x240 pixel)
Display language	English, Arabic		English	
PTZ	Pan, Tilt, Zoom (for VL-V900, VL-V554, VL-V555)			
Picture recording	Up to 400 images (up to 50 visitors, 8 shots per visitor)			Up to 30 images (up to 30 visitors, 1 shot per visitor)
Frequency range	1.88 GHz to 1.90 GHz	-	Wireless LAN: IEEE 802.11 b/g/n 2.4 GHz	-
External material	Flame retardant PC+ABS resin, Flame retardant ABS resin	Flame retardant ABS resin	Flame retardant ABS and PS resin	Flame retardant ABS resin
Supported functions	<ul style="list-style-type: none"> 1 door station input (VL-V554, VL-V555, VL-V522L) / 1 door bell input Electric lock release (both individual and public) Connecting to a PBX system Monitor security camera Emergency call Voice change function: make woman's voice sound like a man's Paging: transfer calling (between monitors) Up to 6 additional monitors⁴ 	<ul style="list-style-type: none"> 1 door station input (VL-V554, VL-V555, VL-V522L) / 1 door bell input Electric lock release (both individual and public) Connecting to a PBX system Monitor security camera Emergency call Voice change function: make woman's voice sound like a man's Paging: transfer calling (between monitors) Up to 3 Extension monitor can be connected 	<ul style="list-style-type: none"> 1 door station input (VL-V554, VL-V555, VL-V522L) / 1 door bell input Electric lock release (both individual² and public) Connecting to a PBX system Monitor security camera Emergency call Voice change function: make woman's voice sound like a man's Smartphone Connect via wireless LAN³ Send mail via the Internet (with visitor's image) 	<ul style="list-style-type: none"> 1 door bell input⁵ Electric lock release (public) Connecting to a PBX system Monitor security camera Emergency call⁵

* 1 Including AC cord. * 2 The optional VL-RLY1 is required to open individual electric locks. * 3 Smartphone application is available for free
* 4 Up to 6 additional monitor (Extension monitor/Wireless monitor) can be connected (up to 3 of Extension monitors) * 5 Either one can be connected.

Options:

Relay Box

VL-RLY1
(for VL-MVN511)



Door Station

(Aluminium surface)

CMOS 0.3M pixels

VL-V555

CMOS 1.0M pixels

VL-V554 (Surface mount)

VL-V554U (Flash mount)

(for VL-MWD272/273, VL-MV71/72, VL-MVN511)



Door Station

(Resin surface)

VL-V522L

(for VL-MWD272/273,

VL-MV71/72,

VL-MVN511)



DECT Wireless Sub Monitor

VL-WD613

(for VL-MWD272/273)

up to 6



DECT Wireless Repeater

VL-FKD2

(for VL-MWD272/273)

up to 2



Model number (Name)	VL-V700 (Control Box)	VL-V701 (Distribution Box/Repeater Box)	VL-V702 (Lift Controller)	VL-V703 (Extension Box)
Dimensions (mm)				
Power source	Power supply unit (VL-PS240), 24 V DC, 0.2 A			
Power consumption	Standby: Approx. 3.5 W During operation: Approx. 3.7 W	Standby: Approx. 1.2 W During operation: Approx. 2.0 W	Standby: Approx. 0.4 W During operation: Approx. 4.4 W	Standby: Approx. 1.5 W During operation: Approx. 1.5 W
Weight	400 g			
Operating environment	Ambient temperature: -10°C to +50°C Relative humidity (non-condensing): up to 90 % (indoor use only)			
Log	Save the text logs and visitors' images in the SD card ¹ Text logs: More than 90,000 items, Images: Up to 90,000 images	-		
Supported functions	<ul style="list-style-type: none"> USB connection (provide PC application/English) date and time setting set the room number to the monitor estimate the status of the equipment in the system operation setting (terminal, pass code, and so on.) SD card (SDHC/SDXC): Log function VIDEO OUTPUT RJ-11: connect with PBX system 	<ul style="list-style-type: none"> Dip switch Mode change (Distributor mode/ Repeater mode) Termination setting (Normal/Termination) ID setting (1-10) 	<ul style="list-style-type: none"> Supported control methods 1:1 control (Relay signalling) Binary control 	Extend Lobby Stations / Control Box Up to 6 Lobby Stations Up to 4 Control Boxes
Installation method	Wall mount or attach to DIN rail			
External material	ABS (flame retardant ABS resin)			

* A Lift Controller (VL-V702) is provided. By using this controller, it is possible to synchronize the lift stop floor with the unlock control in the system.
* The supported control method depends on the specifications of the lift and lift control box. Contact the lift manufacturer for details.
* 1 sold separately

Trademarks and registered trademarks

- SD, SDHC and SDXC Logo are trademarks of SD-3C, LLC.

Important

- Safety Precaution: carefully read the operating instructions and installation manual before using this product.

- The actual product may vary slightly from photograph.
- All pictures of the LCD display are simulated.
- Weights and dimensions are approximate.
- Design and Specifications are subject to change without notice.
- These products may be subject to export control regulations.

DISTRIBUTED BY :

Panasonic

MG-DHPE013EN 1708TD/ZZZ-NZ2
(Enhanced Ver.2)

Panasonic

Video Intercom System for Apartment complexes VL-V900 and VL-V700 series



Key Features

Supports large apartment systems

3 lobby stations and 560 room units (main monitors) are supported for a building. When connected to a PBX, 4 guard stations are supported. Up to 54*1 Lobby Stations, 2,240 room monitors and 16 guard stations can be installed by adding Extension Boxes.

Provides safety and security to residents

- Answer visitors after checking their face. Check visitors using a smartphone*² or the wireless monitor*³.
When using gate call*⁴ settings, if facility staff use the terminals at the reception desk or security gate to call residents, the residents can use their main monitors to check the images from the reception desk or security gate and confirm who is visiting.
- Record the image of visitors and check them at any time.
- Monitor common surveillance cameras from your own room.
- Notify of accidents (fire, injury, etc.) to reception, another station via a PBX.

Easy and low cost installation

The system mainly needs only 2 wire cables (1 pair of cables), and less equipment. It provides an easy way to link up rooms in one location using a PC, and can also be set up with a main monitor in every room.

Safe and convenient maintenance functions

The system provides a self-diagnostic function to identify errors. It is easy to change the equipment and re-link. Log function for recording the face of visitors and the date.

Model number (Name)	VL-V900 (Lobby Station)	VL-PS240 (Power Supply Unit)
Dimensions (Unit: mm)		
Power source	Power supply unit (VL-PS240)	Input: 220-240 V AC, 0.2 A (50/60 Hz) Output: 24 V DC, 0.6 A
Power consumption	Standby: Approx. 1.9 W, During operation: Approx. 4.5 W	-
Dimensions (H x W x D) (Excluding protruding sections)	373 x 179 x 2.5 mm (excluding sections embedded into the wall)	116 x 100 x 54 mm
Weight	2.0 kg	230 g
Operating environment	Ambient temperature: Approx. -10 °C to +55 °C Relative humidity (non-condensing): up to 90 %	Ambient temperature: Approx. 0 °C to +50 °C Relative humidity (non-condensing): up to 90 % (indoor use only)
Display	4.3-inch monochrome display (white backlight LCD)	-
Display language	English	-
Talking method	Hands-free	-
Viewing angle	Horizontally: Approx. 170° Vertically: Approx. 115°	-
Installation method	Flush mount (flush mounting box supplied)	Wall mount or attach to DIN rail
Image sensor	(1/4 inch) CMOS sensor (approx. 1M pixels)	-
Minimum illuminance required	1 lx (within approx. 50 cm from the camera lens)	-
Lighting method	White coloured LED lights	-
IP rating/IK rating	IP55 ⁵ / Compliant with IK07	-
External material	Stainless steel (partially ABS and PC)	Flame retardant PC+ABS resin
Expanded interface	Support for electric lock releasing (entrance unlocking) x 1 VIDEO-IN (recommended Panasonic security camera) x 1	-
Supported functions	<ul style="list-style-type: none"> Guidance (simple usage for visitors) Night colour vision (white coloured LED lights) Heat sensor: The backlight of the display and buttons are turned on when a visitor is detected Display the resident's names Unlock with PIN-code 	-

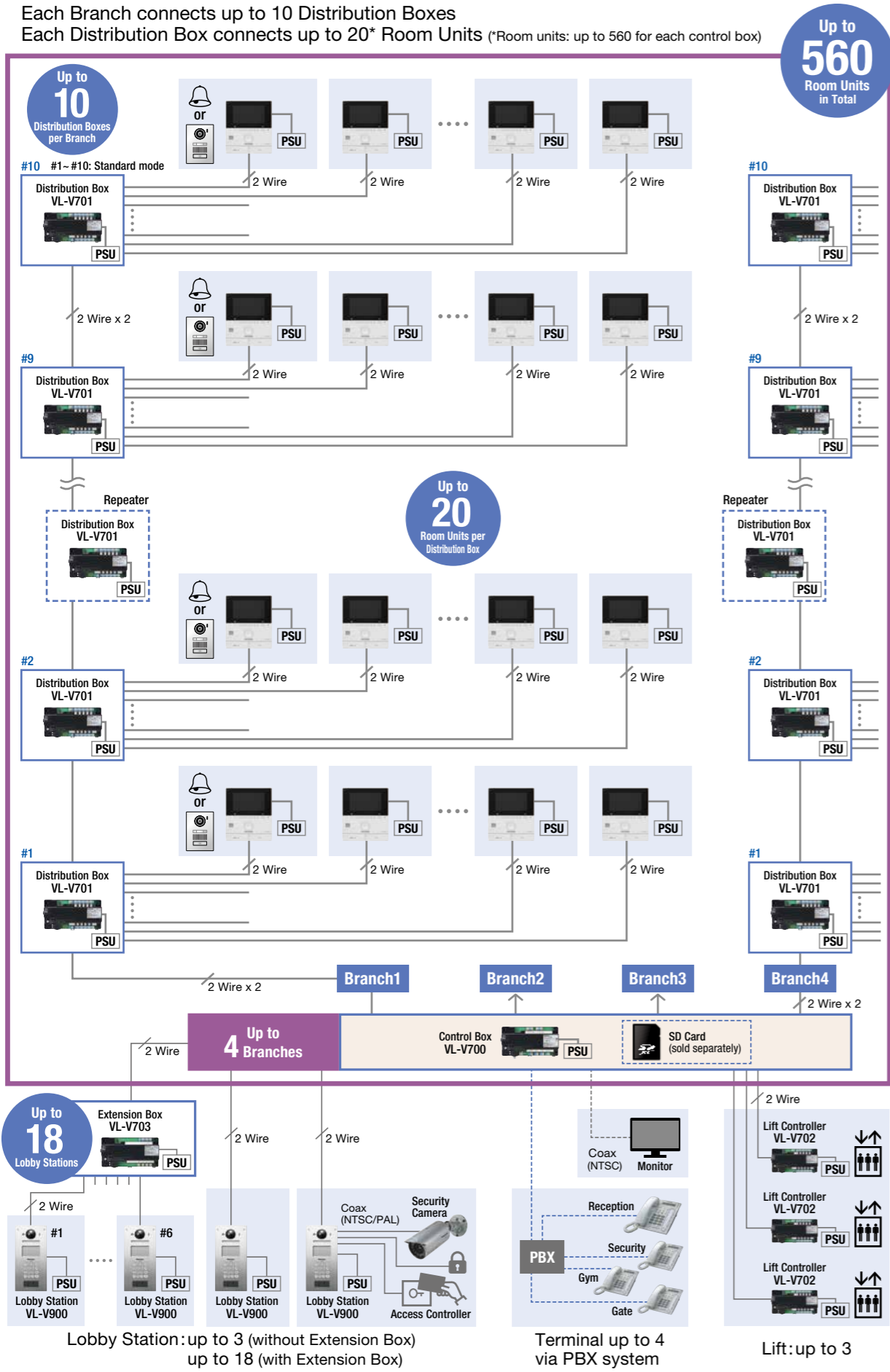
Consult your certified Panasonic dealer for more information. * 1 There are usage restrictions when connecting more than 19 Lobby Stations. * 2 VL-MVN511 only

* 3 VL-MWD272/273 only * 4 When multiple control boxes are used, gate call supports only 1 control box (up to 560 room units)

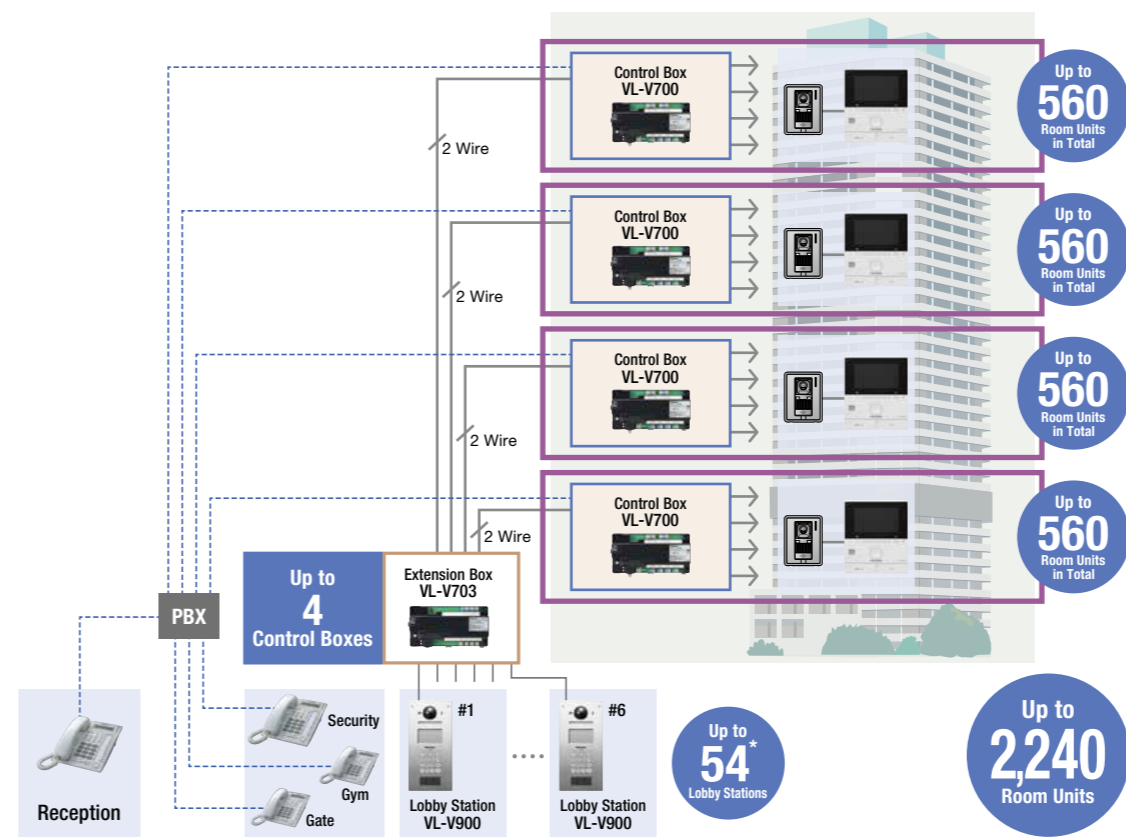
* 5 Water resistance is only assured if the lobby station is installed correctly according to the instructions in the Installation Guide, and appropriate water protection measures are taken.

Basic System

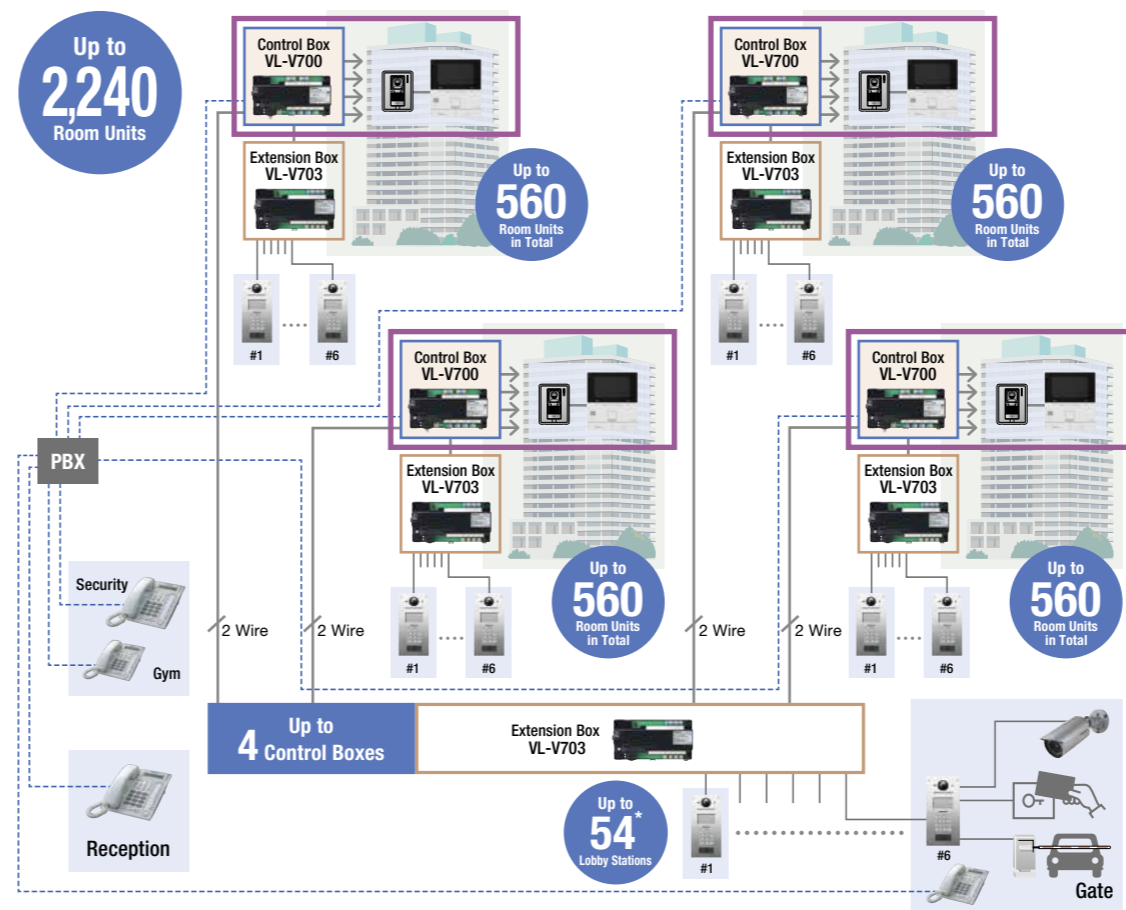
Each Branch connects up to 10 Distribution Boxes
 Each Distribution Box connects up to 20* Room Units (*Room units: up to 560 for each control box)



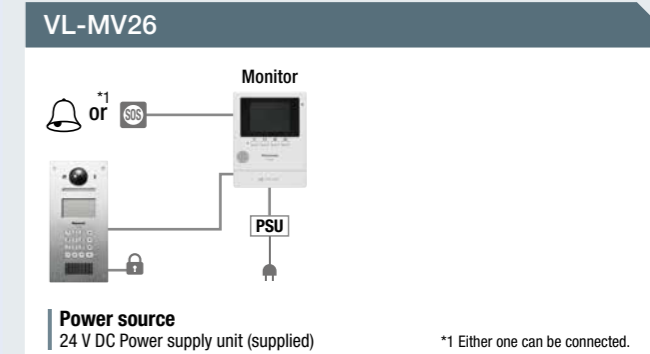
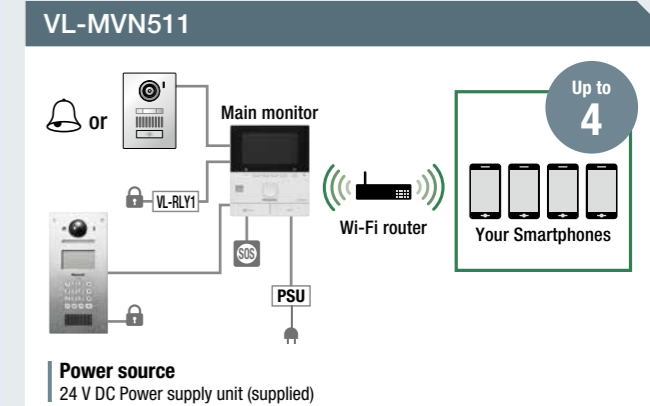
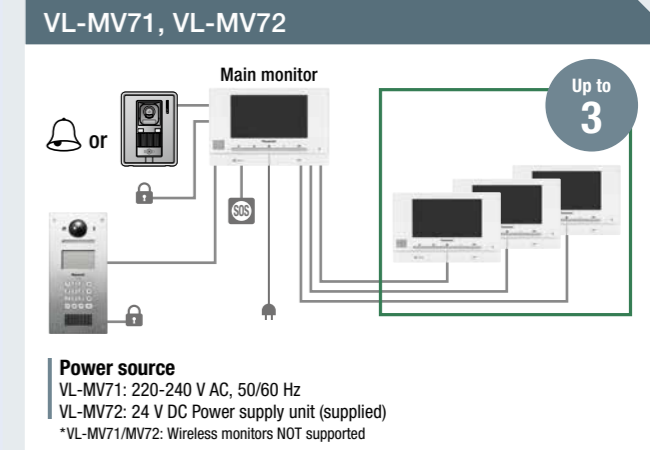
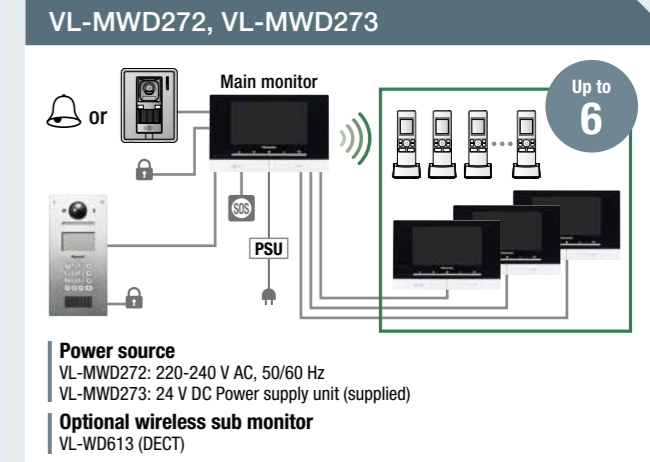
Expanded System for Large scale building



Expanded System for Multi building



Monitor Lineup



- Extension Boxes do not operate as repeaters that allow longer distances between the Control Box and Lobby Stations.
- Lobby Stations (VL-V900) connected to Extension Boxes (VL-V703) cannot be called from the main monitors or terminals.

Wiring Distance *Use PE (polyethylene)-insulated cables.

Wiring run	Wire diameter		Wiring run	Wire diameter	
	0.65 mm (22 AWG)	1.2 mm (17 AWG)		0.65 mm (22 AWG)	1.2 mm (17 AWG)
Control Box - (Extension Box) - Lobby Station	100 m	200 m	Control Box - Distribution Box (Repeater Mode)	100 m	200 m
Control Box - The farthest Distribution Box (Standard Mode)	100 m	200 m	Distribution Box (Repeater Mode) - The farthest Distribution Box (Standard Mode)	100 m	200 m
Distribution Box (Standard Mode) - Main Monitor	100 m	200 m	Control Box - The farthest Lift Controller	100 m	200 m

- PSU** Power Supply Unit (VL-PS240/PS241)
- SOS** Sensor or Button (emergency call)
- Door Bell** **E-Lock**

*There are usage restrictions when connecting more than 19 Lobby Stations. Consult your certified Panasonic dealer for more information.