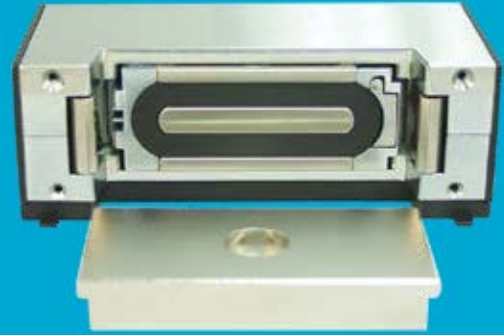


# Securitron® MM15 Magnetic and Mechanical Lock

*4,000 lbs holding force,  
bracket mounted, magnetic  
electromechanical lock*



## MEMLOCK® unique hybrid design, two tons of holding power.

The hybrid design of this magnetic electromechanical lock includes two springloaded, hardened steel jaws that deliver up to 4,000 lbs of ultimate holding power. In a forced-entry assault, the jaws of the MM15 MEMLOCK clamp down on the armature plate and hold firm, for an unmatched level of access control.

## Features

### Standard Features

- Efficient, low power usage
- Ideal for mental healthcare and auxiliary detention facilities and other high-risk locations
- Automatic dual-voltage—no field adjustment required
- Mounting plate for easy, accurate installation
- Size optimized for use with door closers
- Accepts AC or DC current
- Ultra-secure collapsing blind nuts mount to door frame for strength and reliability
- Fail Safe
- MagnaCare® lifetime replacement, no fault, no questions asked warranty

### Optional Features

- **G** Gate conduit
- **D** Integrated Door Position Switch (DPS)
- **T** Anti-tamper switch

### Accessory

- **TS** Tamper shield



MagnaCare  
Warranty



Auto Sensing  
Dual Voltage  
12/24



PoE  
Friendly



Fire Rated

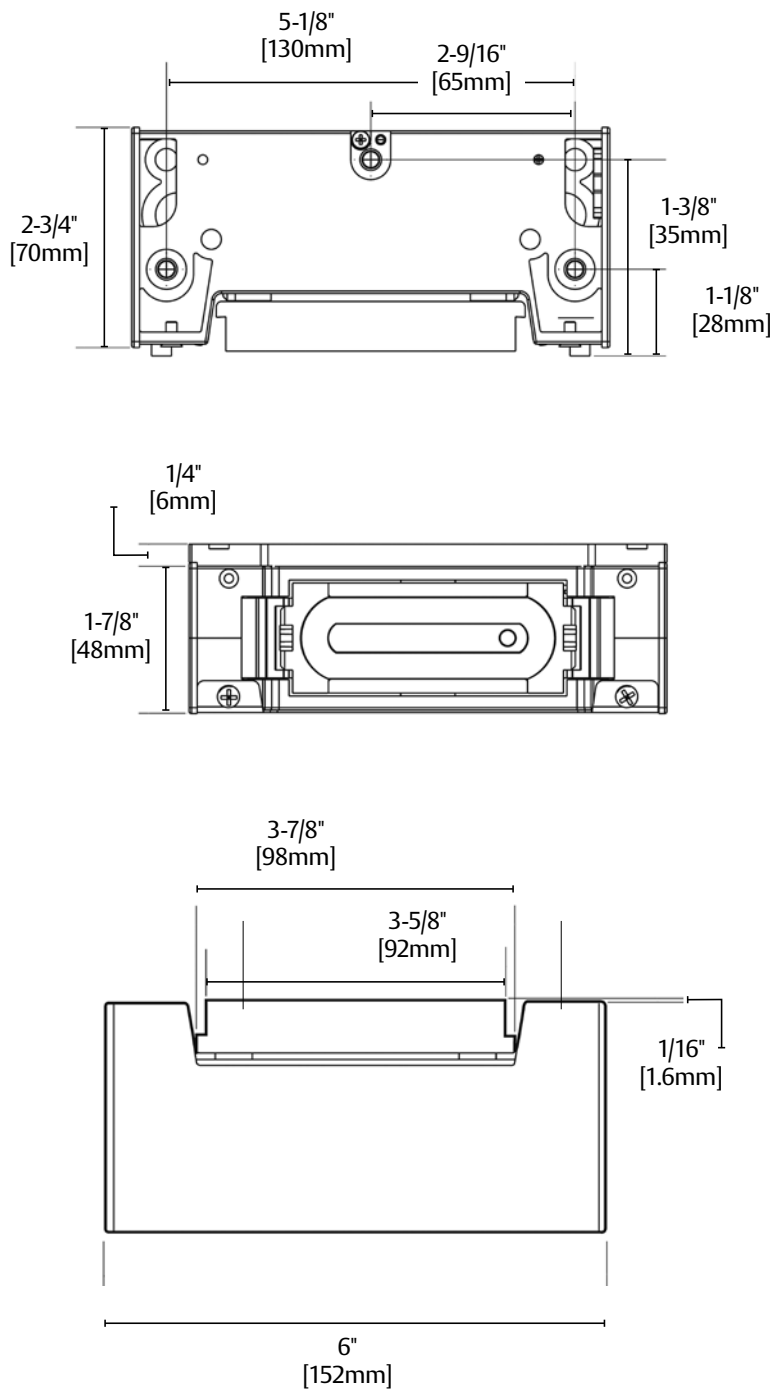


Outdoor  
Rated



Preload

## Dimensions



## Specifications

### Certifications

- UL 10C Fire Rated, 1 hour
- CAN/ULC-S533 Listed

### Dimensions

- 6" L x 1-7/8" D x 2-3/4" H

### Electrical

- **AC Current:** 130 mA at 12 VAC; 250 mA at 24 VAC
- **DC Current:** 100 mA at 12 VDC; 200 mA at 24 VDC

### Holding Force

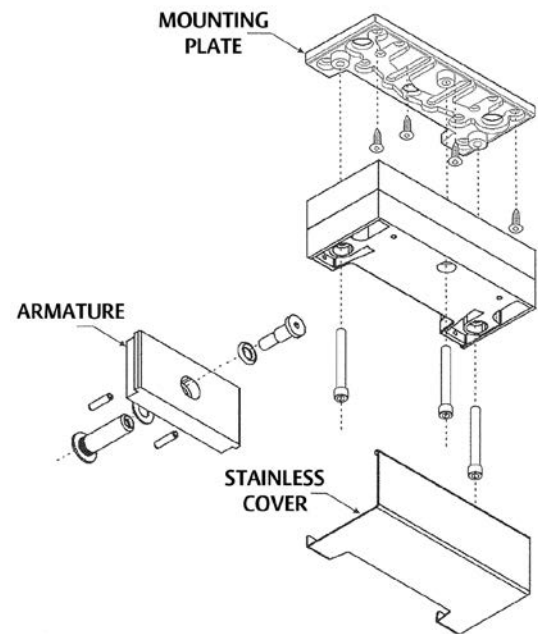
- 4,000 lbs [1814 kg]

### Operating Temperature

- -40 to +140F [-40 to +60C]
- Indoor use only

### Shipping Weight

- 6 lbs [2.72kg]



## How to Order

Model Series	Mounting Method	Monitoring Options
<b>MM15</b>	<b>G</b>	<b>DT</b>
<b>MM15</b>	<b>(blank)</b> Direct Mount	<b>(blank)</b> No Monitoring
	<b>G</b> Gate Conduit	<b>DT</b> Door Position Switch and Tamper Switch